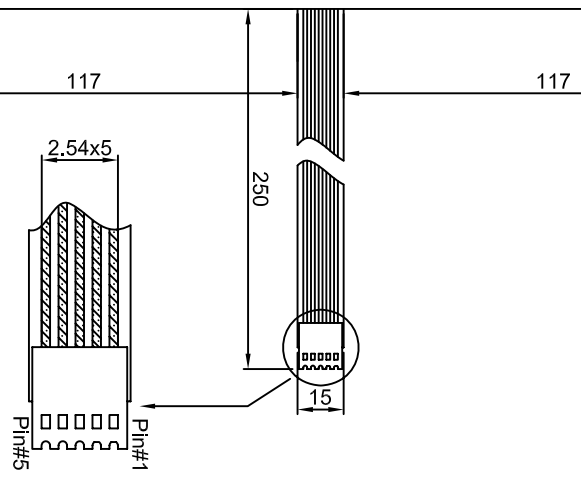


NOTE:  
ALL DIMENSIONS ARE IN MILLIMETERS

P/N	Film Type	Glass Thickness	Finished Part Thickness
5W1510G-X2	Clear	1.8	2.2±0.2
5W1510N-X2	Anti-Glare		
5W1510G-X3	Clear	2.8	3.2±0.2
5W1510N-X3	Anti-Glare		

Pin#	Assignment
1	H
2	X
3	S
4	Y
5	L



Onetouch Technologies Co., Ltd	
DATE:	2006.08.02
P/N:	5W1510-G
MODEL:	5W1510-N
DRAWER:	WEI
APPROVAL:	DAVID